

- 1/2" NPT male thread with 1/4" barb fitting
- Anti-spill protection
- Available with pressure relief and safety venting
- Provides tank breathing
- Thermal and pressure relief

Technical data

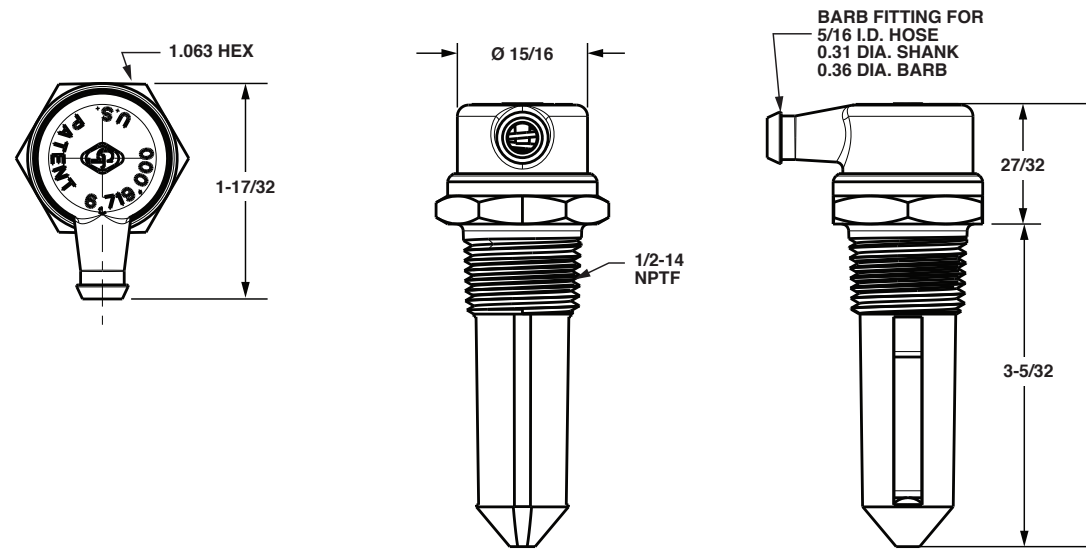
Pipe thread:
1/2-14 PTF

Overflow hose diameter:
5/16" ID

Outward flow rate:
70 SCFH @ 18" water pressure

Hex size:
1.063"

Dimensions (Inches)



1/2" NPT high flow fuel tank vent

Models	Thermal Relief	Pressure Relief	Diesel/Gas
2989-11	● Yes	Yes	Diesel

- In stock
- ◆ Please call 1.800.710.7823 for availability